

Your independent bushing
and busbar supplier



GTOI Non-capacitive Type Bushings, 12 - 36kV

Transformer to Air DIN EN 50180-2010 and IEC 60137-2008



Current and voltage – our passion

Standard ratings

Highest voltage for equipment U_m	kV	12	24	36
Rated lightning impulse voltage (BIL)	kV	75	125	170
Rated continuous current (I _r)	A	1250 - 2000 - 3150		
Creepage distance	mm	Min 31 mm/kV according to U_m or 53.7 mm/kV according to U_y		

Type tests

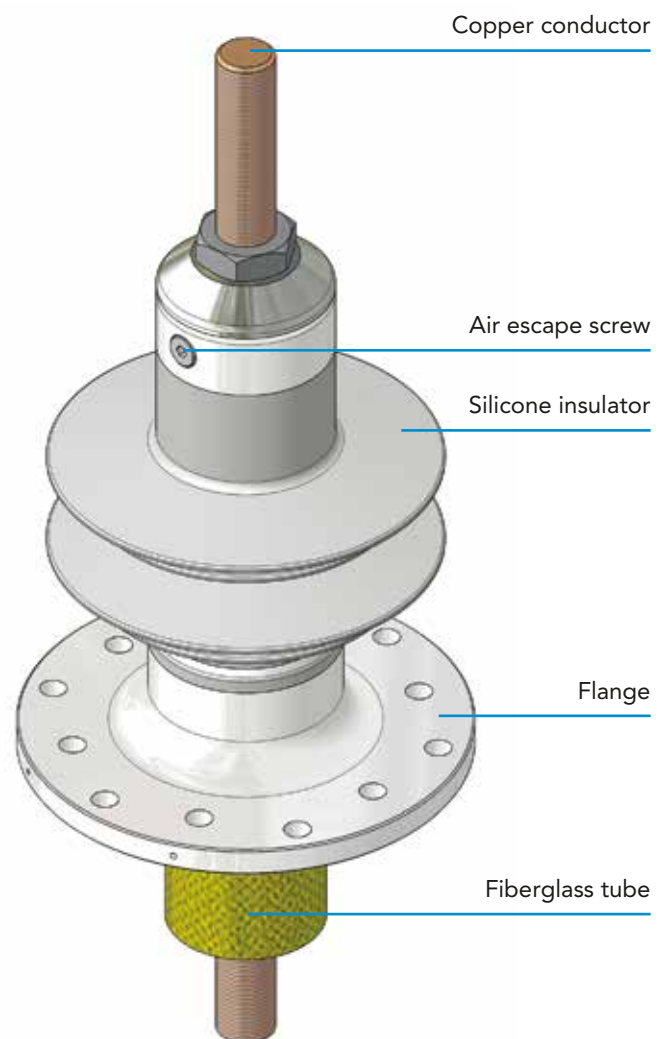
Moser Glaser performed complete type tests according to the IEC 60137-2008, reports are available on request.

Routine test

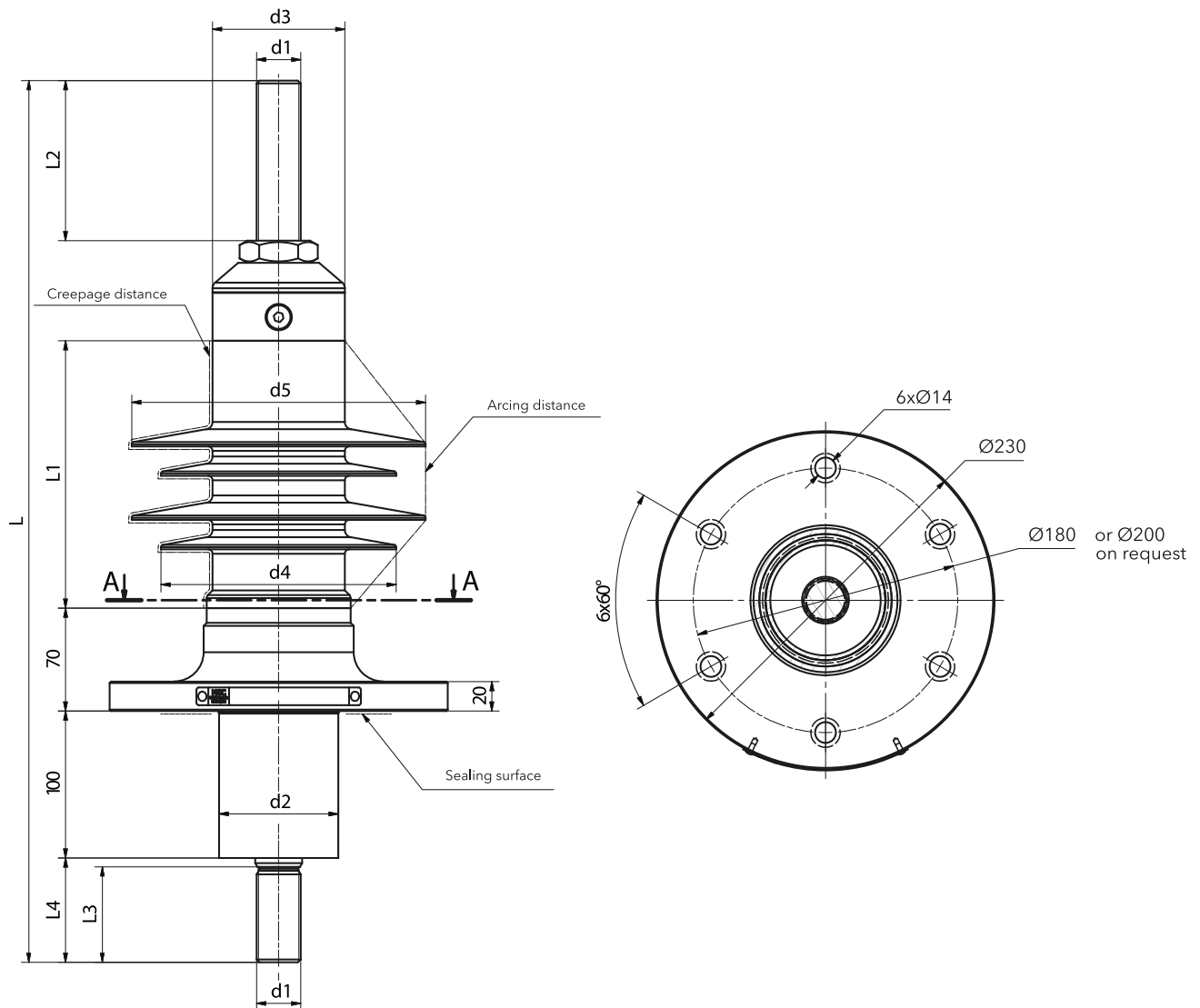
GTOI is provided in routine with a tightness test.

Features and design

- GTOI bushings are non-capacitive graded and suitable for oil-filled transformers.
- Manufacturing Standard DIN EN 50180-2010, type tested according to the IEC 60137-2008.
- The easy design combined with a strong construction provides the longest life-time possible and no maintenance.
- This non-porcelain bushing is constructed from a fiberglass tube with a copper conductor. The silicone insulator is moulded in-house directly around the body, that ensures reliable and short delivery time.
- The unbreakable silicone rubber insulators have hydrophobic characteristics and a surface with self-cleaning properties.



Dimensions



Um (Ur)	AC (Up)	BIL (Ubil)	Ir	Creepage distance (IEC 60815 / IV)	Arcing distance	L	L1	L2	L3	L4	d1	d2	d3	d4	d5	Sealing surface	Weight
kV	kV	kV	A	mm	mm	mm	mm	mm	mm	mm	mm	mm	mm	mm	mm	mm	kg
12	30	75	1250	372	215	600	180	109	65	71	M30x2	Ø82	Ø90	Ø160	Ø200	Ø92/157	9.6
12	30	75	2000	372	215	630	180	129	75	75	M42x3	Ø82	Ø90	Ø160	Ø200	Ø92/157	14
12	30	75	3150	372	215	650	180	146	75	75	M48x3	Ø82	Ø90	Ø160	Ø200	Ø92/157	18
24	55	125	1250	744	385	800	380	109	65	71	M30x2	Ø82	Ø90	Ø160	Ø200	Ø92/157	12.9
24	55	125	2000	744	385	830	380	129	75	75	M42x3	Ø82	Ø90	Ø160	Ø200	Ø92/157	18.7
24	55	125	3150	744	385	850	380	146	75	75	M48x3	Ø113	Ø123	Ø193	Ø233	Ø117/167	26.2
36	77	170	1250	1116	500	900	480	109	65	71	M30x2	Ø82	Ø90	Ø160	Ø200	Ø92/157	14.6
36	77	170	2000	1116	500	930	480	129	75	75	M42x3	Ø113	Ø123	Ø193	Ø233	Ø117/167	23.6
36	77	170	3150	1116	500	950	480	146	75	75	M48x3	Ø113	Ø123	Ø193	Ø233	Ø117/167	29.6

DURESCA®
Busbar system



TIRESCA®
Busbar system



GASLINK®
SF₆ insulatet busbar system



DURESCA®
Wall bushings



DURESCA®
Transformer bushings



MOSER GLASER

Current and voltage – our passion

MGC Moser-Glaser Ltd.
Lerchenweg 21
4303 Kaiseraugst
Switzerland

 +41 61 467 61 11
 info@mgc.ch
 www.mgc.ch

Member of PFIFFNER Group

This document has been drawn up with the utmost care. We can not however, guarantee that it is entirely complete, correct or up-to-date.
© Copyright Moser Glaser, Subject to change without notice. 2017.06

Represented by: